

R6250iD Open Frame Generator



Product Information

The RATO R6250iD open frame generator is lightweight but with a high power output.

All RATO products are covered by our 12 month/500 hour warranty.

Features

- Precisely controlled ignition.
- Smart circuit protection, reliable safety.
- Low engine oil alarm and automatic shutdown to protect engine.
- Accessible easy operation on the front panel.
- Lightweight, high power output.
- Convenient recoil and electric starter.
- Wheels and handle for easy movement.



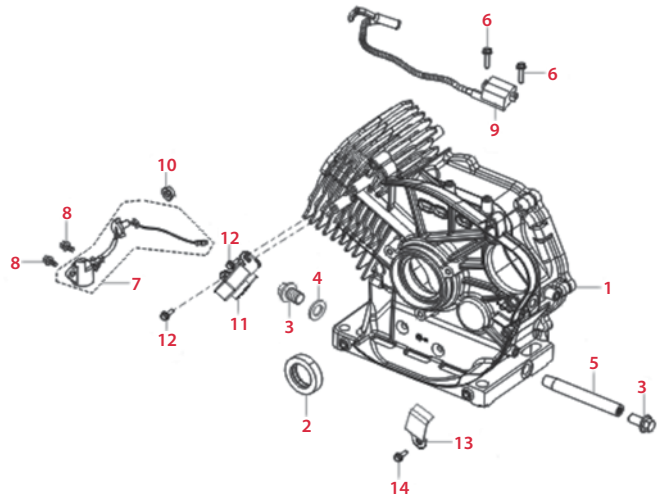
SPECIFICATIONS

	R6250iD
Engine model	R300-i
Certification	EPA 3, EMC
Engine type	Air cooled, 4 stroke, OHV, single cylinder
Starting system	Recoil / Electric start
Displacement	301cc
Bore x Stroke	80 x 60
Compression ratio	8.2 : 1
Rated frequency	60hz
Rated voltage	120v & 240v
Rated power	5.5kw
Surge power	6.25kw
THD (%)	≤3
DC output	12v / 8.3A
Fuel tank capacity	15 litres
Full load continuous running time	9 hours
1/2 load continuous running time	12 hours
Noise (7m)	84db
Dimensions (L x W x H mm)	605 x 514 x 537
Net weight	60 kg
Multi function meter	yes
Breaker	3
USB device	yes
Receptacle cover	yes
Spark arrestor	yes
Oil drain tube	yes
Wheel kit	8" wheels & handle, comes standard

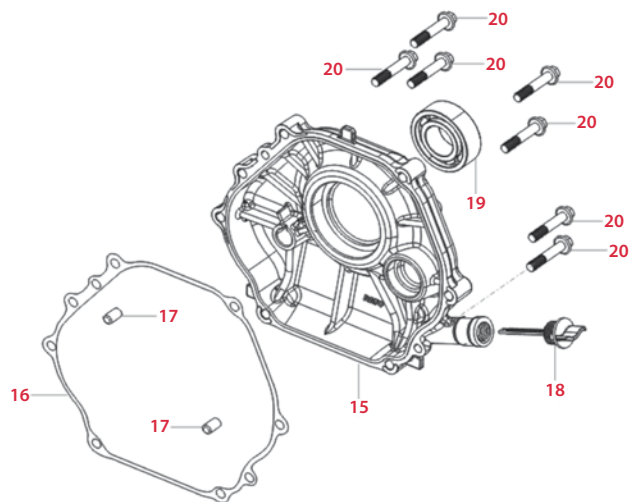
R6250iD Open Frame Generator

*NS - Not Stocked by JAK Max however available from RATO. Special order only, 3 month lead time.

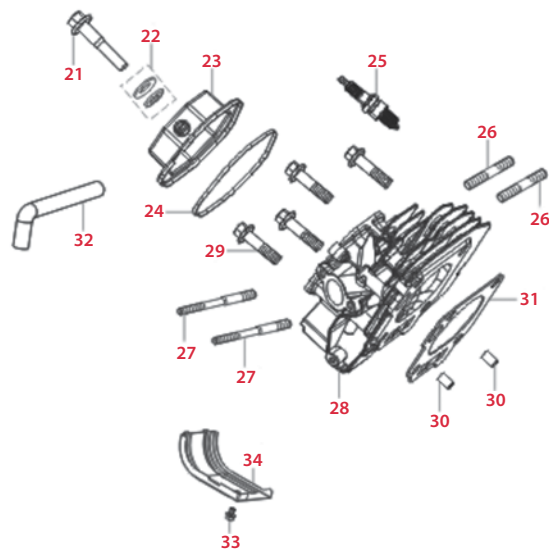
Item	JAK Max Part No.	RATO Part No.	Description
Crankcase (right)			
1	NS	11310-Z0C0120-0B09	Crankcase subassembly
2	JMRT1423	90682-Z080110-0000	Oil
3	NS	11007-Z010110-0000	Drain plug bolt
4	NS	90408-Z010510-0000	Flat washer
5	NS	11011-Z980110-0000	Oil drain tube
6	NS	90001-0520-01	Bolt
7	NS	37060-Z080120-0000	Engine oil sensor
8	NS	90001-0616-01	Bolt
9	NS	30400-Z980110-0001	Ignition coil
10	NS	90305-Z010210-01	Nut
11	NS	30130-Z980120-0000	
12	NS	90001-0516-01	Bolt
13	NS	30002-Z980110-0000	Magneto wiring clamp
14	NS	90001-0510-01	Bolt



Item	JAK Max Part No.	RATO Part No.	Description
Crankcase Cover Subassembly & Governor Gear Assembly			
15	NS	11411-Z0C0110-0B01	Crankcase cover
16	JMRT1424	11001-Z580120-0000	Crankcase gasket
17	NS	90502-0912-00	Pin
18	NS	15010-Z080130-Q500	Oil dipstick subassembly
19	NS	90547-0206-CL	Deep groove ball bearing
20	NS	90001-0835-01	Bolt



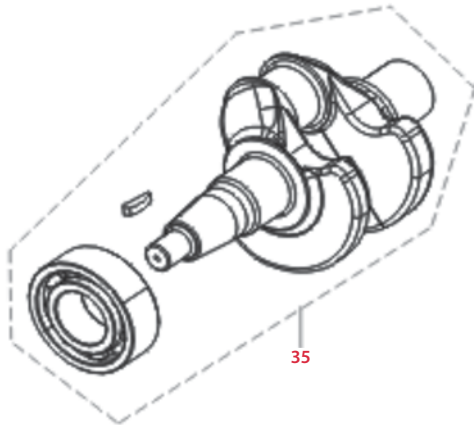
Item	JAK Max Part No.	RATO Part No.	Description
Cylinder Head Subassembly & Spark Plug (right)			
21	NS	12032-Z080110-0100	Cylinder head bolt
22	NS	12034-Z080110-0099	
23	NS	12410-Z580110-0199	Cylinder head cover subassembly
24	NS	12004-Z580110-0099	Cylinder head cover gasket
25	NS	30010-Z010110-0000	Spark plug
26	NS	90203-Z010110-0000	Bolt
27	NS	90204-Z0C0110-0000	Bolt
28	NS	12140-Z730210-0B09	Cylinder head subassembly
29	NS	12003-Z080110-0000	Cylinder head bolt
30	NS	90502-1220-00	Pin
31	JMRT1425	12131-Z730120-00LS	Cylinder head gasket
32	NS	17004-Z080510-0000	Breather tube
33	NS	90001-0610-01	Bolt
34	NS	19304-Z080110-0000	Cylinder body shroud



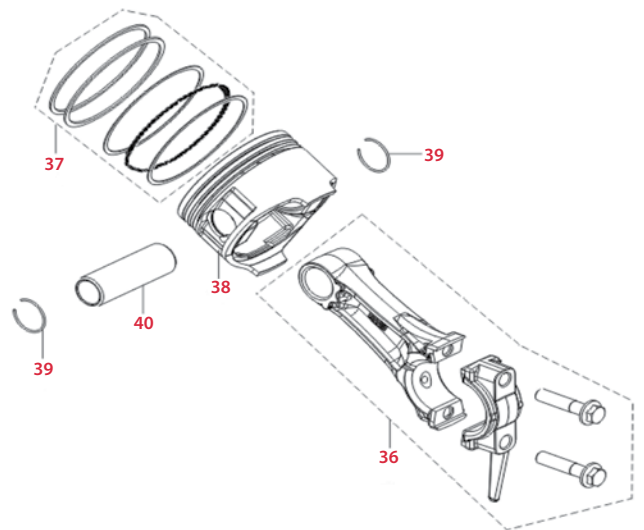
*NS - Not Stocked by JAK Max however available from RATC. Special order only, 3 month lead time.

R6250iD Open Frame Generator

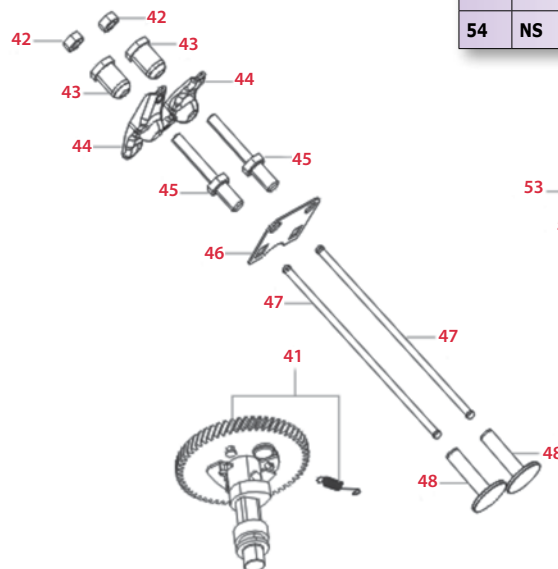
Item	JAK Max Part No.	RATO Part No.	Description
Crankshaft (below left)			
35	NS	13300-Z0C0110-CLTM	Crankshaft assembly



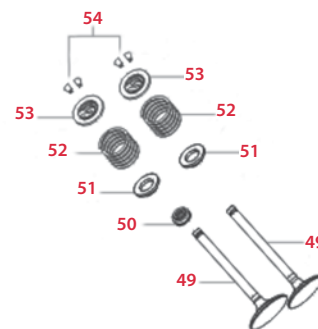
Item	JAK Max Part No.	RATO Part No.	Description
Oil Ring Set & Crankshaft Connecting Rod (below right)			
36	NS	13010-Z730120-0099	Connecting rod
37	NS	13200-Z730110-0099	Piston ring assembly
38	NS	13111-Z730120-0099	Piston
39	NS	13122-Z730110-0099	Piston pin clip
40	NS	13121-Z730110-0000	Piston pin



Item	JAK Max Part No.	RATO Part No.	Description
Valve Train & Camshaft Subassembly (below)			
41	NS	14200-Z730120-0099	Camshaft assembly
42	NS	14312-Z010110-0000	Valve lock nut
43	NS	14314-Z010110-0000	Valve adjusting nut
44	NS	14311-Z080110-0000	Valve Rocker
45	NS	14313-Z010110-0000	Rocker shaft bolt
46	NS	14090-Z080110-0000	Lifter stopper plate subassembly
47	NS	14070-Z730110-0000	Valve lifter subassembly
48	NS	14081-Z580110-0000	Valve Valve
49	NS	12110-Z730110-0099	Valve set



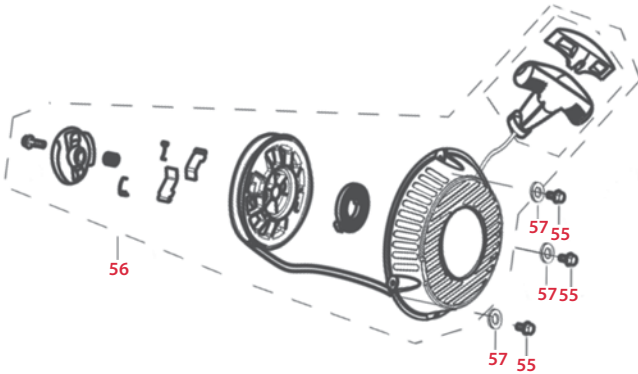
Item	JAK Max Part No.	RATO Part No.	Description
Valve Train & Camshaft Subassembly - continued (below)			
50	NS	12101-Z020110-0000	Seal guide
51	NS	12105-Z080110-0000	Valve spring retainer
52	NS	12103-Z730110-0099	Valve spring
53	NS	12112-Z730110-0000	Valve spring seat
54	NS	12109-Z730110-0000	Valve lock clamp



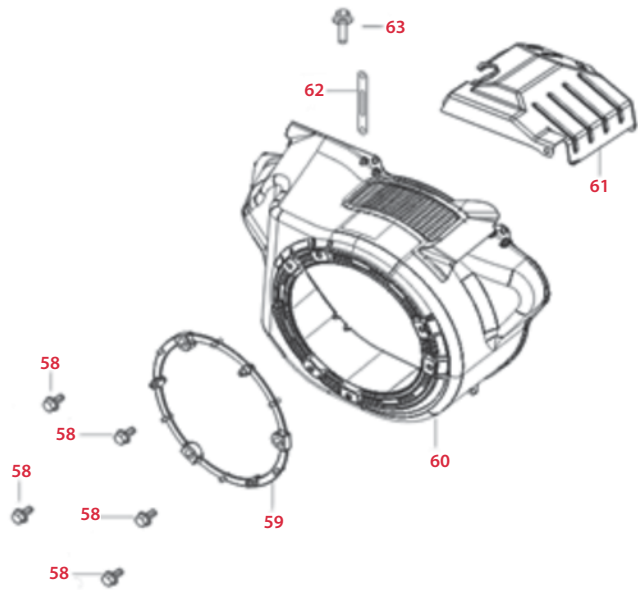
R6250iD Open Frame Generator

*NS - Not Stocked by JAK Max however available from RATO. Special order only, 3 month lead time.

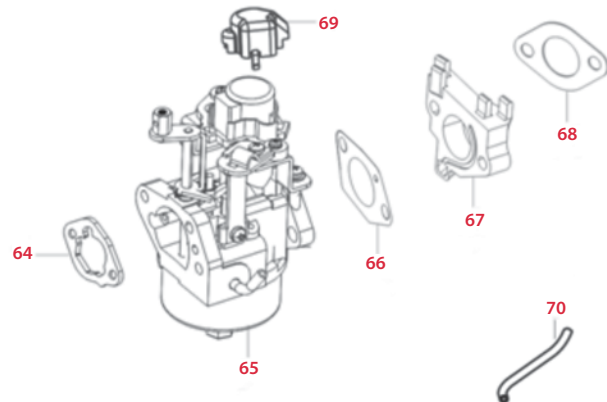
Item	JAK Max Part No.	RATO Part No.	Description
Starter Recoil (below left)			
55	NS	90001-0620-01	Bolt
56	JMRT1426	28200-Z980110-RU00	Starter Recoil assembly
57	NS	90408-0600-E1	Flat washer



Item	JAK Max Part No.	RATO Part No.	Description
Shroud & Lower Shield (below right)			
58	NS	90001-0612-01	Bolt
59	NS	28261-Z980110-0000	
60	NS	28110-Z0C0110-RU00	Shroud
61	NS	19305-Z0C0120-0000	Cylinder body shroud
62	NS	90684-Z030120-0000	Clip
63	NS	90001-0608-01	Bolt



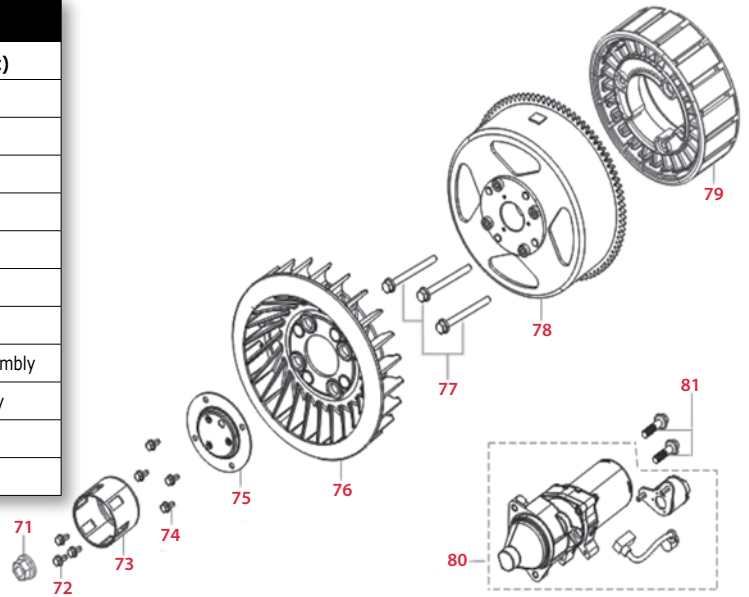
Item	JAK Max Part No.	RATO Part No.	Description
Carburettor Assembly (right)			
64	JMRT1212	17001-Z080210-0000	Air cleaner gasket
65	JMRT1427	16100-Z0C0110-0209	Carburettor assembly
66	JMRT1428	16001-Z080110-0000	Carburettor gasket
67	NS	16003-Z0C0110-0000	Carburettor insulator plate
68	NS	17002-Z080110-0000	Inlet gasket
69	NS	14411-Y2V0110-0000	Cap
70	NS	30431-Z010110-0000	Rubber jacket



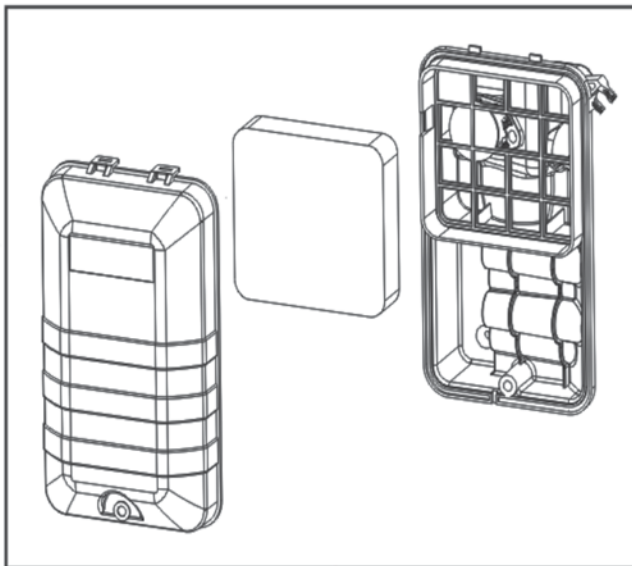
*NS - Not Stocked by JAK Max however available from RATC. Special order only, 3 month lead time.

R6250iD Open Frame Generator

Item	JAK Max Part No.	RATO Part No.	Description
Flywheel, Impeller, Starter Pulley & Ignition Coil (right)			
71	NS	13501-Z080110-0000	Flywheel nut
72	NS	90001-0612-01	Bolt
73	NS	28002-Z980110-0000	Starter cup
74	NS	90001-0612-01	Bolt
75	NS	28020-Z150120-0000	Starter cup seat
76	NS	19352-Z980110-0000	Impeller
77	NS	90102-0660-06	Bolt
78	NS	30110-YA40110-0000	Magneto rotor case subassembly
79	NS	30120-YA40410-0000	Magneto stator subassembly
80	NS	30300-Z980120-0000	Starter motor
81	NS	90001-0825-01	Bolt

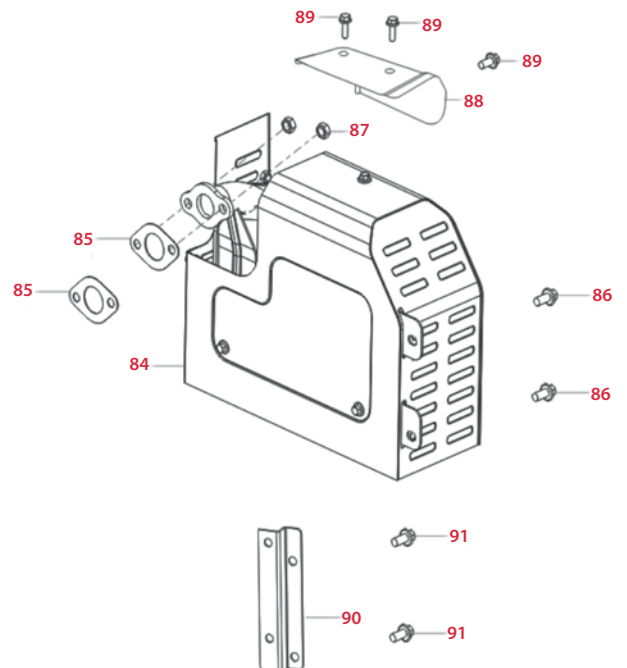


Item	JAK Max Part No.	RATO Part No.	Description
Air Cleaner (below left)			
82	JMRT1429	17100-Z101710-0001	Air cleaner assembly
83	NS	90305-0600-31	Nut



82

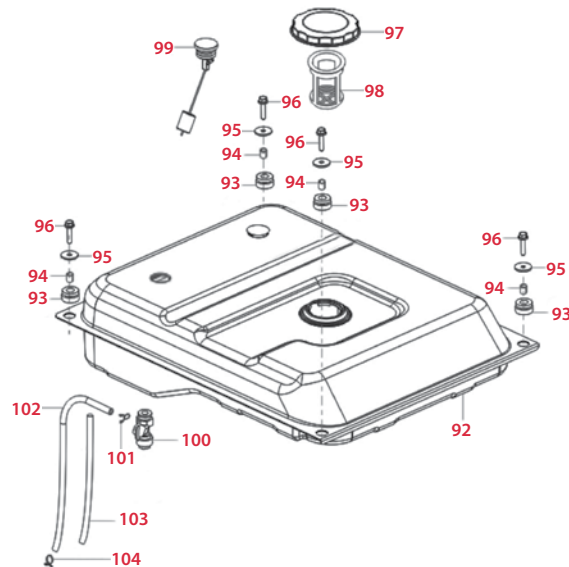
Item	JAK Max Part No.	RATO Part No.	Description
Muffler Assembly (below right)			
84	JMRT1430	18100-Y9X0110-0000	Muffler assembly
85	JMRT1215	18001-Z080110-0000	Exhaust outlet gasket
86	NS	90001-0816-03	Bolt
87	NS	90303-0800-33	Nut
88	NS	18013-Y9X0120-0000	Muffler outer cover
89	NS	90022-0612-03	Bolt
90	NS	18030-YA40110-H300	Muffler bracket
91	NS	90001-0816-03	Bolt



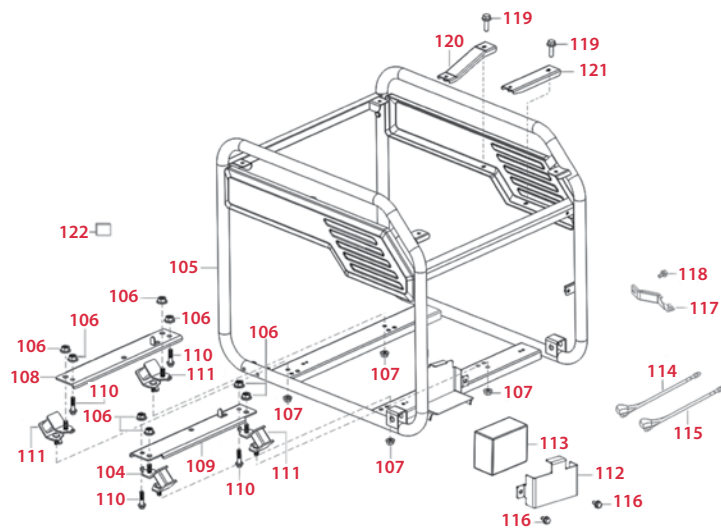
R6250iD Open Frame Generator

*NS - Not Stocked by JAK Max however available from RATO. Special order only, 3 month lead time.

Item	JAK Max Part No.	RATO Part No.	Description
Fuel Tank (right)			
92	JMRT1431	16620-Y9X0220-H60P	Fuel tank
93	NS	16601-Y020120-0000	Fuel tank rubber sleeve
94	NS	90683-Y020110-0000	Bush
95	NS	90408-Y020110-0000	Flat washer
96	NS	90007-0625-A3	Bolt
97	NS	16730-Y020130-H700	Fuel tank cover
98	NS	16652-Y020120-0000	Fuel strainer
99	NS	37200-Y2V0110-0000	Oil level assembly
100	NS	16750-YA40210-0000	Fuel cock assembly
101	NS	90740-Z010210-0000	Collar
102	NS	90686-Z080610-0000	Fuel tube
103	NS	30431-Y030110-0000	Rubber jacket
104	NS	90685-Z030220-0000	Clamp



Item	JAK Max Part No.	RATO Part No.	Description
Engine Frame (right)			
105	NS	51100-YA40110-GQL0	Engine frame assembly
106	NS	90306-1000-31	Nut
107	NS	90305-0800-31	Nut
108	NS	51002-YA40210-GQ00	Engine fixed bottom plate
109	NS	51002-YA40110-GQ00	Engine fixed bottom plate
110	NS	90002-1040-01	Bolt
111	NS	51005HY9X0110-0000	Engine frame cushion
112	NS	31142-YA60110-GQ00	Battery cushion
113	JMRT1314	31110-Y030610-00A0	Battery
114	NS	31114HY130410-0000	Cathode wire
115	NS	31112HY130310-0000	Anode wire
116	NS	90001-0612-03	Bolt
117	NS	17003-YA40110-0100	Air cleaner support
118	NS	90001-0612-01	Bolt
119	NS	90001-0612-03	Bolt
120	NS	30081HYA40210-GQ00	Inverter assembling frame
121	NS	30081HYA40110-GQ00	Inverter assembling frame
122	NS	75004-Y9X0110-0000	Rubber cushion

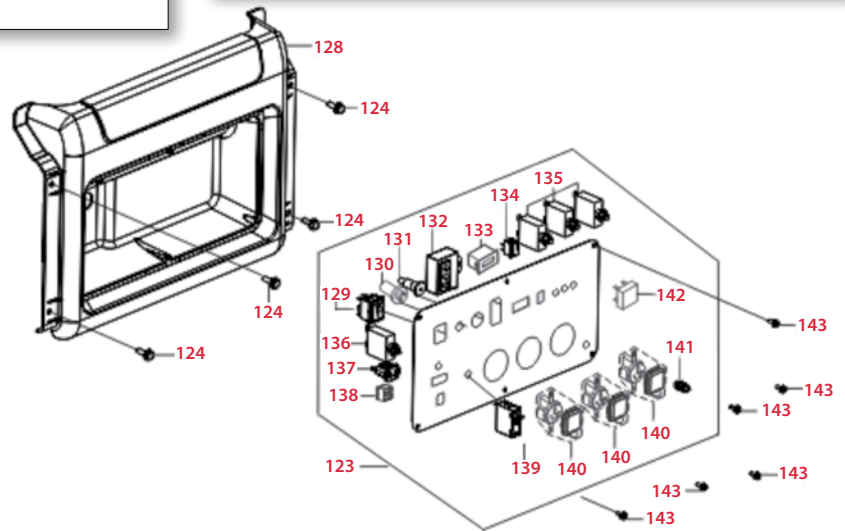
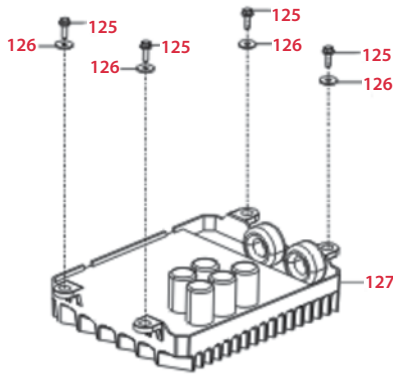


*NS - Not Stocked by JAK Max however available from RATCO. Special order only, 3 month lead time.

R6250iD Open Frame Generator

Item	JAK Max Part No.	RATCO Part No.	Description
Control Panel Subassembly (below)			
123	NS	35610-YB21610-H300	Control panel subassembly
124	NS	90007-0616-A3	Bolt
125	NS	90001-0620-01	Bolt
126	NS	90408-Y020310-0000	Flat washer
127	NS	30043-YB20610-0000	Invertor
128	NS	35680-Y9X0110-Q200	Panel seat
129	NS	35160-Y210110-0000	Switch subassembly
130	NS	35646-Y2V0210-0000	Resetting button
131	NS	16080-YB30110-0000	Choke zip combination
132	NS	30700-Y2P0120-0000	Ignitor
133	NS	35632-Y130110-0000	Timer

Item	JAK Max Part No.	RATCO Part No.	Description
Control Panel Subassembly - continued (below)			
134	NS	35160-Y0G0110-0000	Switch subassembly
135	NS	31234-YB30110-0000	Overcurrent protector
136	NS	31234-Y9H0110-0000	Overcurrent protector
137	NS	35619-Y450110-0000	D.C socket subassembly
138	NS	35619-Y2V0310-0000	D.C socket subassembly
139	NS	35645-Y2A0210-0000	Single-pole circuit breaker
140	NS	35614-Y020510-0000	Power supply socket subassembly
141	NS	35629-Y090110-0000	Grounding terminal subassembly
142	NS	35621-Y020110-0000	Rectification bridge
143	NS	90255-0510-53	



Item	JAK Max Part No.	RATCO Part No.	Description
Front Wheel Subassembly (right)			
144	NS	54110-Y9X0210-GQ00	Handle tube assembly
145	NS	54101-Y9P0110-0000	Handle rubber sleeve
146	NS	90504-Y5R0110-0000	Pin roll
147	NS	90793-Y910110-0000	Sling
148	NS	90341-Y2D0310-0000	Nut
149	NS	90001-0875-01	
150	NS	90722-Y9X0110-0000	End plug
151	NS	90310-0800-31	Nut
152	NS	90332-Y110610-0000	Nut
153	NS	44020-Y5D0110-0600	Front wheel shaft
154	NS	44110-Y5R0110-0000	Front wheel
155	NS	90001-0640-01	Bolt
156	NS	90305-0600-31	Nut
157	NS	51016-Y9P0110-GQ00	Engine frame shock absorption support
158	NS	51014HY3Y0110-0000	Engine frame shock absorption seat
159	NS	90001-0625-01	Bolt

