

R8750ID Open Frame Inverter Generator



Product Information

The RATO R8750ID open frame generator is the perfect option for portable power.
All RATO products are covered by our 12 month/500 hour warranty.

Features

- Convenient recoil and electric start.
- Wheels and handle for easy movement.
- Precisely controlled ignition.
- Smart circuit protection, reliable safety.
- Accessible, easy operation on the front panel.
- Lightweight, high power output.
- Low engine oil alarm and automatic shutdown to protect engine.



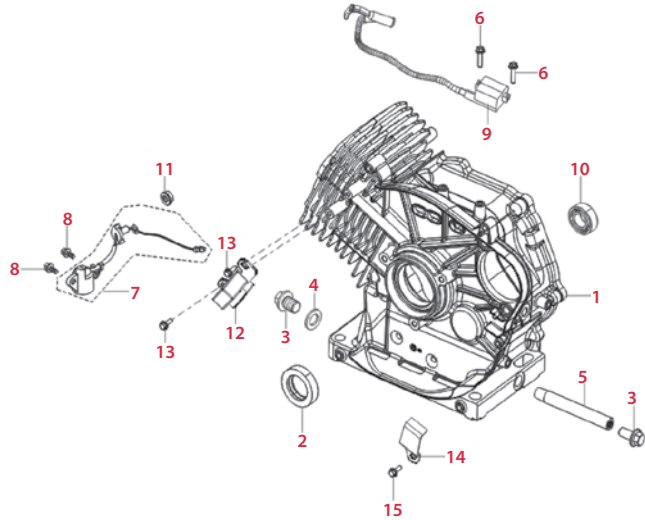
SPECIFICATIONS

R8750ID	
Engine model	R420D
Certification	EPA 3, EMC
Engine type	Air cooled, 4 stroke, OHV, single cylinder
Starting system	Recoil / Electric start with LI battery
Displacement	420cc
Bore x stroke	90 x 66mm
Compression ratio	8 : 1
Rated frequency	50Hz
Rated voltage	220v
Rated power	7.8kw
Max. power	8.75kw
DC output	12v / 8.3A
Fuel tank capacity	15 litres
Full load continuous running time	6.5 hours
1/2 load continuous running time	10 hours
Noise (7m)	84db
Dimensions (L x W x H mm)	605 x 514 x 537
Net weight	65kg
Multi function meter	yes
L5-20R 120V 20A duplex	2 x GFCI
Breaker	3
USB device	yes
Receptacle cover	yes
Spark arrestor	yes
Oil drain tube	yes
Lithium battery	1.6Ah
Wheel kit	8" wheels & handle, come standard

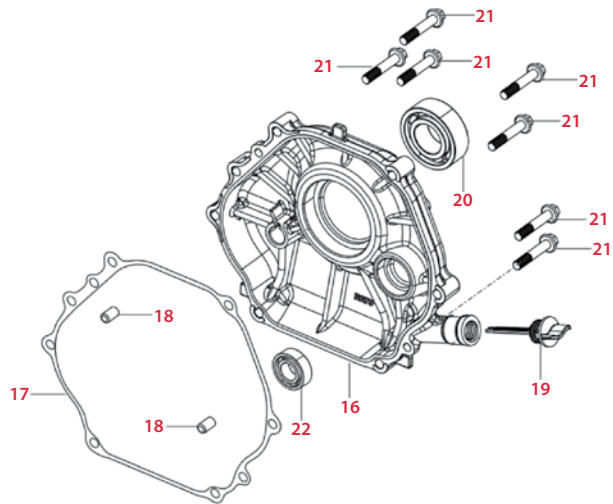
R8750ID Open Frame Inverter Generator

*NS - Not Stocked by JAK Max however available from RATO. Special order only, 3 month lead time.

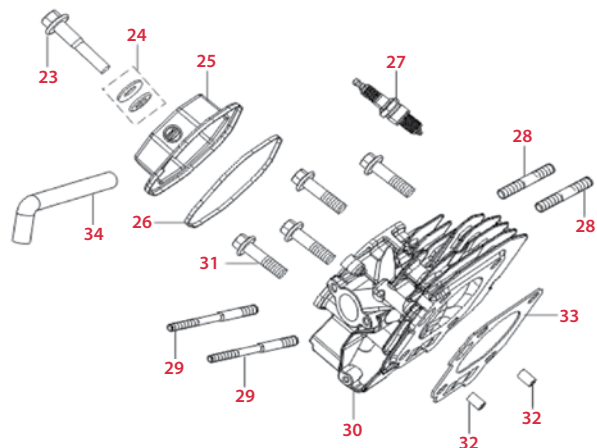
Item	JAK Max Part No.	RATO Part No.	Description
Crankcase (right)			
1	NS	11310-Z980120-0B09	Crankcase subassembly
2	JMRT1278	90682-Z100110-0000	Oil seal
3	JMRT1177	11007-Z010110-0000	Drain plug bolt
4	NS	90408-Z010510-0000	Flat washer
5	NS	11011-Z980110-0000	Oil drain tube
6	NS	90001-0520-01	Bolt
7	JMRT1280	37060-Z080120-0000	Engine oil sensor
8	NS	90001-0616-01	Bolt
9	JMRT1281	30400-Z980110-0001	Ignition coil
10	JMRT1282	90548-0202-CL	Deep groove ball bearing
11	NS	90305-Z010210-01	Nut
12	NS	30130-Z980120-0000	
13	NS	90001-0516-01	Bolt
14	NS	30002-Z980110-0000	Magneto wiring clamp
15	NS	90001-0510-01	Bolt



Item	JAK Max Part No.	RATO Part No.	Description
Crankcase Cover Subassembly & Governor Gear Assembly			
16	NS	11411-Z980110-0B00	Crankcase cover
17	JMRT1283	11001-Z100120-0000	Crankcase gasket
18	NS	90502-0812-00	Pin
19	NS	15010-Z080130-Q500	Oil dipstick subassembly
20	JMRT1284	90547-0207-CL	Deep groove ball bearing
21	NS	90001-0840-01	Bolt
22	NS	90548-0202-CL	Deep groove ball bearing



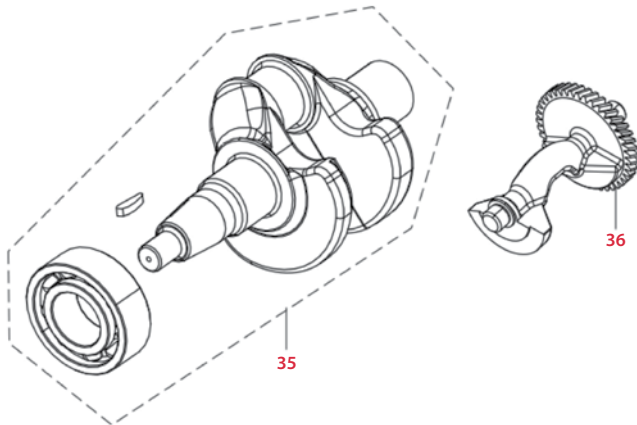
Item	JAK Max Part No.	RATO Part No.	Description
Cylinder Head Subassembly & Spark Plug (right)			
23	NS	12032-Z080110-0100	Cylinder head bolt
24	NS	12034-Z080110-0099	
25	NS	12410-Z580110-0199	Cylinder head cover subassembly
26	JMRT1276	12004-Z580110-0099	Cylinder head cover gasket
27	BPR6ES/ RN9YC	30010-Z010110-0000	Spark plug
28	NS	90203-Z010110-0000	Bolt
29	NS	90204-Z100410-0000	Bolt
30	NS	12140-Z190230-0B99	Cylinder head subassembly
31	NS	12003-Z080110-0000	Cylinder head bolt
32	NS	90502-1220-00	Pin
33	JMRT1277	12131-Z190110-LS00	Cylinder head gasket
34	NS	17004HZ980110-0000	Breather tube



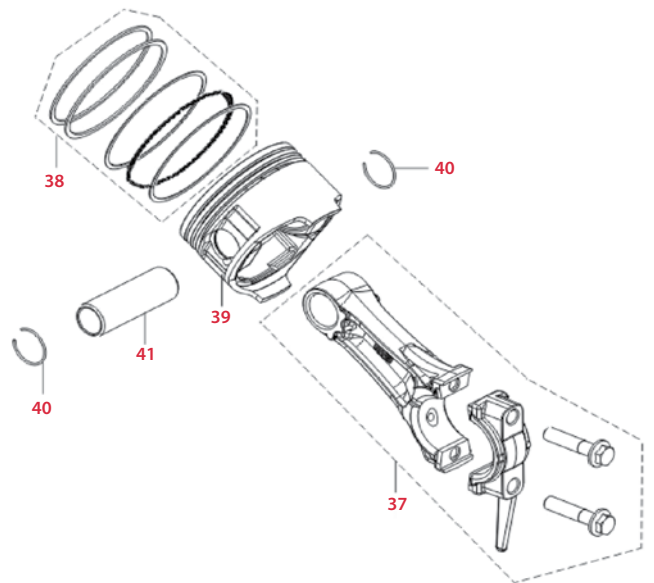
*NS - Not Stocked by JAK Max however available from RATO. Special order only, 3 month lead time.

R8750ID Open Frame Inverter Generator

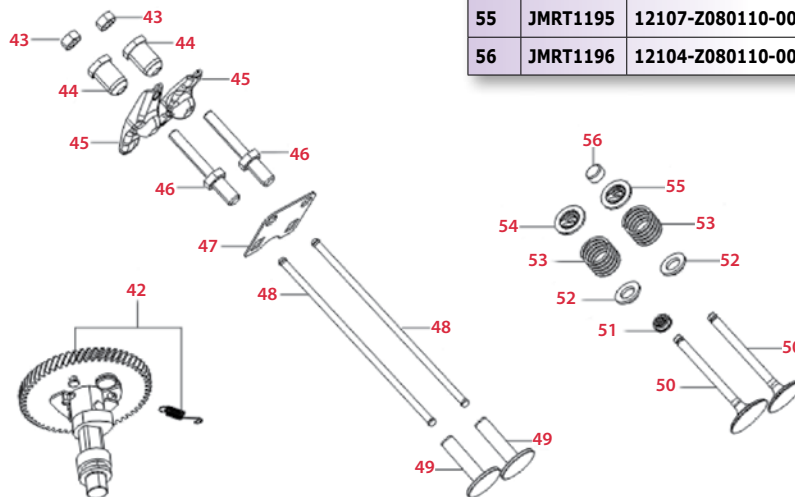
Item	JAK Max Part No.	RATO Part No.	Description
Crankshaft (below left)			
35	JMRT1285	13300-Z980110-RB00	Crankshaft assembly
36	NS	13400-Z190320-0000	Balancing shaft assembly



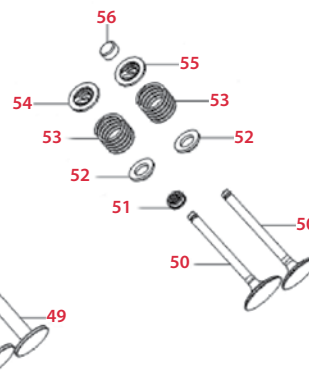
Item	JAK Max Part No.	RATO Part No.	Description
Oil Ring Set & Crankshaft Connecting Rod (below right)			
37	JMRT1286	13010-Z190120-0000	Connecting rod
38	JMRT1287	13200-Z190210-0099	Piston ring set
39	JMRT1288	13111-Z190310-0099	Piston
40	JMRT1183	13122-Z100110-0000	Piston pin clip
41	JMRT1289	13121-Z100110-0000	Piston pin



Item	JAK Max Part No.	RATO Part No.	Description
Valve Train & Camshaft Subassembly (below)			
42	JMRT1290	14200-Z190510-0099	Camshaft assembly
43	JMRT1029	14312-Z010110-0000	Valve lock nut
44	JMRT1028	14314-Z010110-0000	Valve adjusting nut
45	JMRT1291	14311-Z080110-0000	Valve rocker
46	JMRT1026	14313-Z010110-0000	Rocker shaft bolt
47	JMRT1292	14090-Z080110-0000	Lifter stopper plate subassembly
48	JMRT1293	14070-Z100110-0000	Valve lifter subassembly
49	JMRT1294	14081-Z080110-0000	Valve tappet
50	JMRT1295	12110-Z190110-0099	Valve set



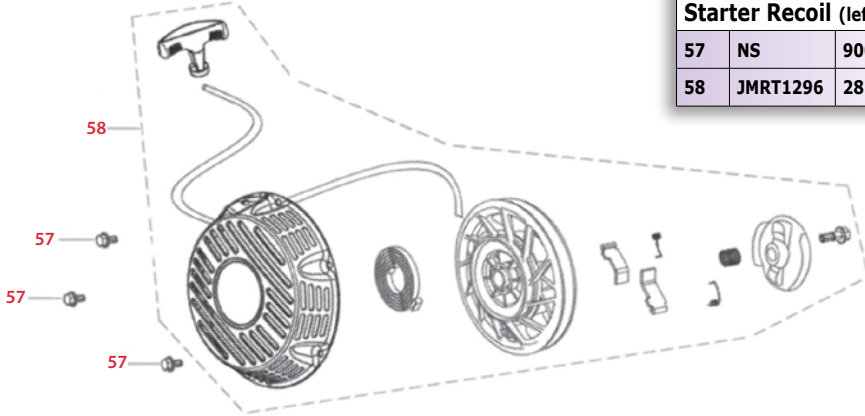
Item	JAK Max Part No.	RATO Part No.	Description
Valve Train & Camshaft Subassembly - continued (below)			
51	JMRT1191	12101-Z080110-0000	Seal guide
52	JMRT1192	12105-Z080110-0000	Valve spring retainer
53	JMRT1193	12103-Z080110-0000	Valve spring
54	JMRT1194	12112-Z080110-0000	Valve spring seat
55	JMRT1195	12107-Z080110-0000	Exhaust valve retainer
56	JMRT1196	12104-Z080110-0000	Valve rotator



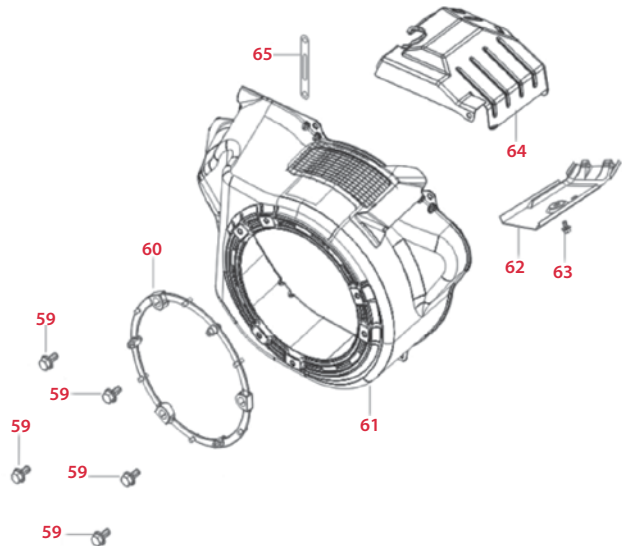
R8750ID Open Frame Inverter Generator

*NS - Not Stocked by JAK Max however available from RATO. Special order only, 3 month lead time.

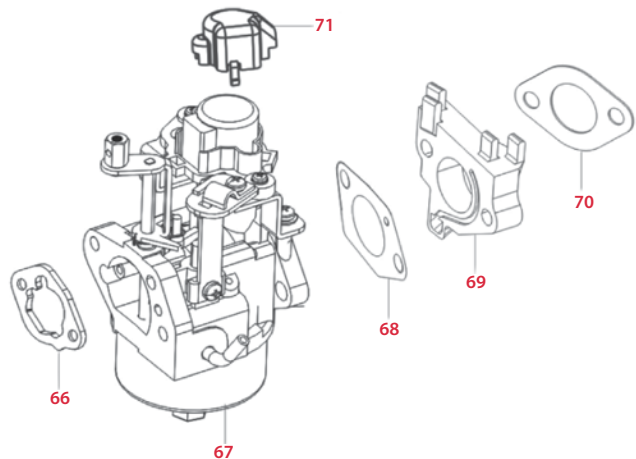
Item	JAK Max Part No.	RATO Part No.	Description
Starter Recoil (left)			
57	NS	90001-0620-01	Bolt
58	JMRT1296	28200-Z980120-RU00	Starter Recoil assembly



Item	JAK Max Part No.	RATO Part No.	Description
Shroud & Lower Shield (right)			
59	NS	90001-0612-01	Bolt
60	NS	28261-Z980110-0000	
61	NS	28110-Z980110-RU00	Shroud
62	NS	19304-Z100210-0000	Cylinder body shroud
63	NS	90001-0610-01	Bolt
64	NS	19305-Z980120-0000	Cylinder body shroud 2
65	NS	90684-Z030120-0000	Clip



Item	JAK Max Part No.	RATO Part No.	Description
Carburettor Assembly (right)			
66	JMRT1212	17001-Z080210-0000	Air cleaner gasket
67	JMRT1297	16100-Z980110-0309	Carburettor assembly
68	JMRT1205	16001-Z100110-0000	Carburettor gasket
69	JMRT1298	16003-Z980110-0000	Carburettor insulator plate
70	JMRT1299	17002-Z100110-0000	Inlet gasket
71	JMRT1255	14411-Y2V0110-0000	Cap

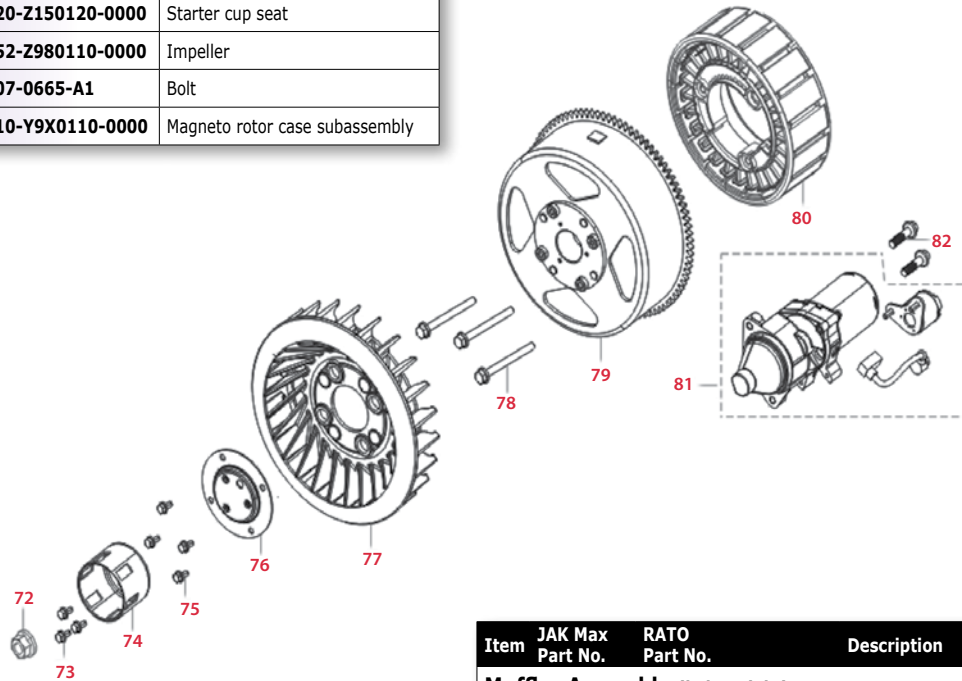


*NS - Not Stocked by JAK Max however available from RATCO. Special order only, 3 month lead time.

R8750ID Open Frame Inverter Generator

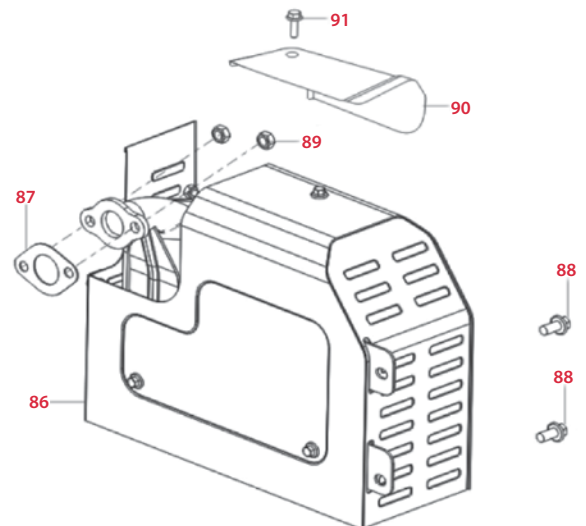
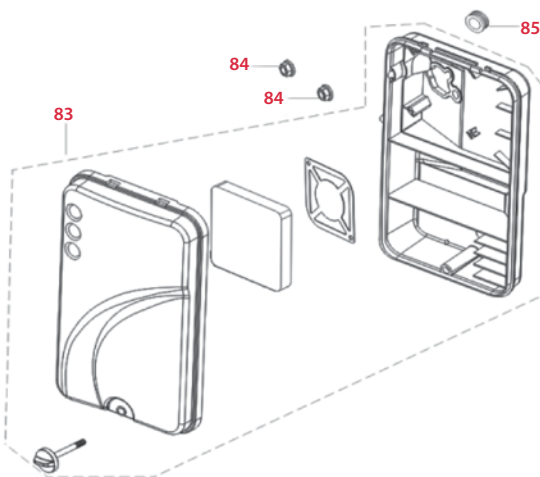
Item	JAK Max Part No.	RATCO Part No.	Description
Flywheel, Impeller, Starter Pulley & Ignition Coil (below)			
72	NS	13501-Z080110-0000	Flywheel nut
73	NS	90001-0612-01	Bolt
74	JMRT1301	28002-Z980110-0000	Starter pulley
75	NS	90001-0612-01	Bolt
76	NS	28020-Z150120-0000	Starter cup seat
77	JMRT1302	19352-Z980110-0000	Impeller
78	NS	90007-0665-A1	Bolt
79	JMRT1303	30110-Y9X0110-0000	Magneto rotor case subassembly

Item	JAK Max Part No.	RATCO Part No.	Description
Flywheel, Impeller, Starter Pulley & Ignition Coil - cont'd			
80	JMRT1304	30120-YB30210-0000	Magneto stator subassembly
81	JMRT1305	30300-Z980120-0000	Starter motor
82	NS	90001-0825-01	Bolt



Item	JAK Max Part No.	RATCO Part No.	Description
Air Cleaner (below left)			
83	JMRT1300	17000-Z980110-0009	Air cleaner
84	JMRT1321	90305-0600-31	Nut
85	NS	90722-Z950110-00A0	Plug

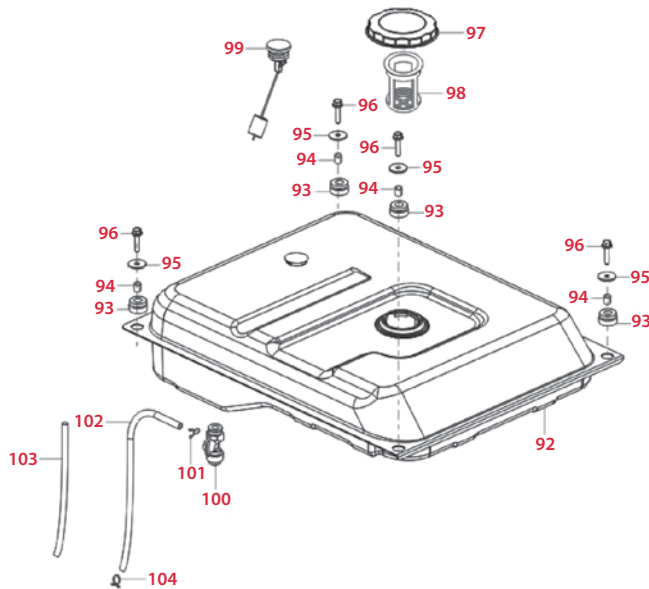
Item	JAK Max Part No.	RATCO Part No.	Description
Muffler Assembly (below right)			
86	JMRT1306	18100-Y9X0110-H300	Muffler assembly
87	NS	18001-Z080110-0000	Exhaust outlet gasket
88	NS	90001-0816-01	Bolt
89	NS	90303-0800-31	Nut
90	NS	18013-Y9X0120-0000	Muffler outer cover
91	NS	90022-0612-01	Bolt



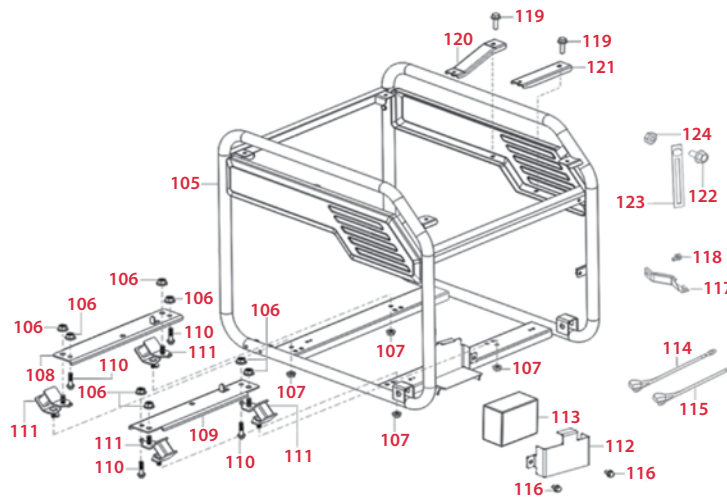
R8750ID Open Frame Inverter Generator

*NS - Not Stocked by JAK Max however available from RATCO. Special order only, 3 month lead time.

Item	JAK Max Part No.	RATO Part No.	Description
Fuel Tank Assembly (right)			
92	NS	16620-Y9X0220-H600	Fuel tank
93	NS	16601-Y020120-0000	Fuel tank rubber sleeve
94	NS	90683-Y020110-0000	Bush
95	NS	90408-Y020310-0000	Flat washer
96	NS	90007-0625-A1	Bolt
97	JMRT1308	16730-Y020130-H700	Fuel tank cap
98	JMRT1309	16652-Y020120-0000	Fuel strainer
99	JMRT1310	37200-Y2V0110-0000	Oil level assembly
100	JMRT1311	16750-Y020210-0000	Fuel cock assembly
101	NS	90740-Z010210-0000	Collar
102	NS	90686-Z010710-0000	Fuel tube
103	NS	90698-Z300210-0000	Rubber jacket
104	NS	90685-Z030220-0000	Clamp



Item	JAK Max Part No.	RATO Part No.	Description
Engine Frame (right)			
105	JMRT1312	51100-Y9X0210-GQL0	Engine frame assembly
106	NS	90306-1000-31	Nut
107	NS	90305-0800-31	Nut
108	NS	51002-Y9X0110-GQ00	Engine fixed bottom plate
109	NS	51002-Y9X0210-GQ00	Engine fixed bottom plate
110	NS	90002-1040-01	Bolt
111	JMRT1313	51005HY9X0110-0000	Engine frame cushion
112	NS	31142-YA60110-GQ00	Battery clamp
113	JMRT1314	31110-Y030610-0000	Battery
114	NS	31114HY130410-0000	Cathode wire
115	NS	31112HY130310-0000	Anode wire
116	NS	90001-0612-01	Bolt
117	NS	17003-Y290110-0000	Air cleaner support
118	NS	90001-0612-01	Bolt
119	NS	90001-0612-01	Bolt
120	NS	30081HY9X0110-GQ00	Inverter assembling frame
121	NS	30081HY9X0210-GQ00	Inverter assembling frame
122	NS	90001-0608-01	Bolt
123	NS	90684-Z030120-0000	Clip
124	NS	90314-0600-31	Nut
	NS	75004-Y9X0110-0000	Rubber cushion

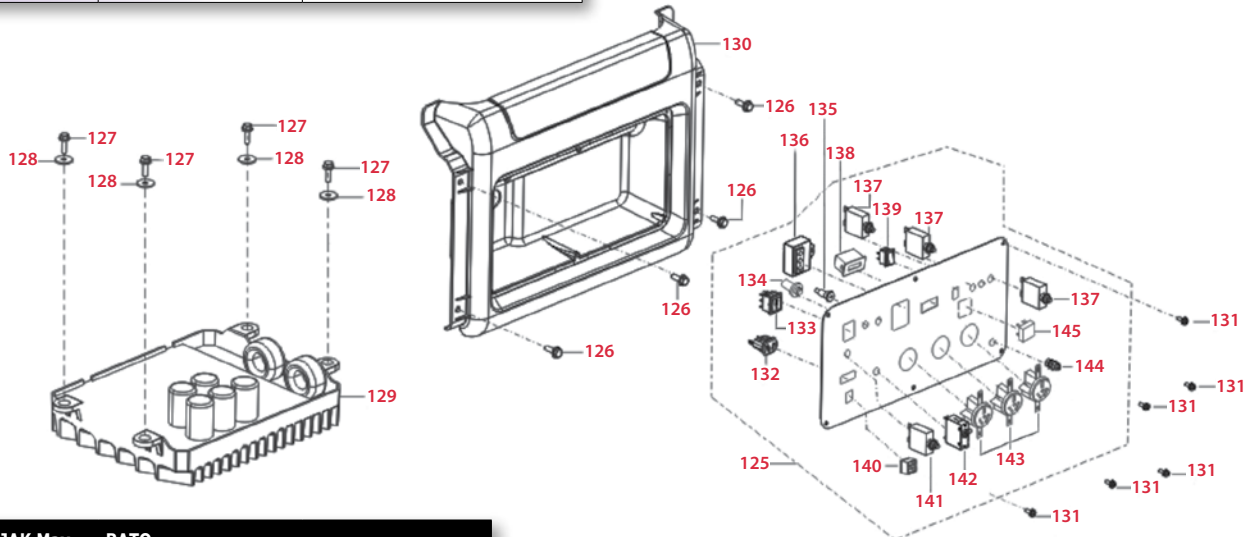


*NS - Not Stocked by JAK Max however available from RATCO. Special order only, 3 month lead time.

R8750ID Open Frame Inverter Generator

Item	JAK Max Part No.	RATCO Part No.	Description
Control Panel Subassembly (below)			
125	NS	35610-YB32410-H300	Control panel subassembly
126	NS	90007-0614-A1	Bolt
127	NS	90001-0620-01	Bolt
128	NS	90408-Y020310-0000	Flat washer
129	NS	30043-YB30910-0000	Invertor
130	NS	35680-Y9X0110-Q200	Panel seat
131	NS	90255-0510-51	
132	NS	35619-Y2V0110-0000	DC socket subassembly
133	NS	35160-Y210110-0000	Switch subassembly
134	NS	35646-Y2V0210-0000	Resetting button
135	NS	16080-YB30110-0000	Choke zip combination

Item	JAK Max Part No.	RATCO Part No.	Description
Control Panel Subassembly - continued (below)			
136	NS	30700-Y2P0120-0000	Ignitor
137	NS	31234-YB30110-0000	Overcurrent protector
138	NS	35632-Y130110-0000	Timer
139	NS	35160-Y0G0110-0000	Switch subassembly
140	NS	35619-Y9T0110-0000	D.C socket subassembly
141	NS	31234-Y9H0110-0000	Overcurrent protector
142	NS	35645-Y3H0110-0000	Single-pole circuit breaker
143	NS	35614-Y020510-0000	Power supply socket subassembly
144	NS	35629-Y090110-0000	Grounding terminal subassembly
145	NS	35621-Y020110-0000	Rectification bridge



Item	JAK Max Part No.	RATCO Part No.	Description
Front Wheel Assembly (right)			
146	NS	54110-Y9X0210-GQ00	Handle tube assembly
147	NS	54101-Y9P0110-0000	Handle rubber sleeve
148	NS	90504-Y5R0110-0000	Pin roll
149	NS	90793-Y910110-0000	Sling
150	NS	90341-Y2D0310-0000	Nut
151	NS	90001-0875-01	
152	NS	90722-Y9X0110-0000	End plug
153	NS	90310-0800-31	Nut
154	NS	90332-Y110610-0000	Nut
155	JMRT1315	44020-Y5D0110-0600	Front wheel shaft
156	JMRT1316	44110-Y5R0110-0000	Front wheel
157	NS	90001-0640-01	Bolt
158	JMRT1321	90305-0600-31	Nut
159	JMRT1317	51016-Y9P0110-GQ00	Engine frame shock absorption support
160	JMRT1318	51014HY3Y0110-0000	Engine frame shock absorption seat
161	NS	90001-0625-01	Bolt

