

RT80WB26-3.8Q Sewage/Trash Pump

Product Information



The RATCO RT80WB26-3.8Q 3" is suitable for 30% softenite dirty water such as in town waterlogging and breeding industry exhaust. Could also be used as a clean water pump.

All RATCO products are covered by our 12 month/500 hour warranty.

Features

- Powerful OHV 7hp RATCO engine.
- Suitable for 30% softenite dirty water.
- Also suitable as a clean water pump.
- Rugged full frame protection.

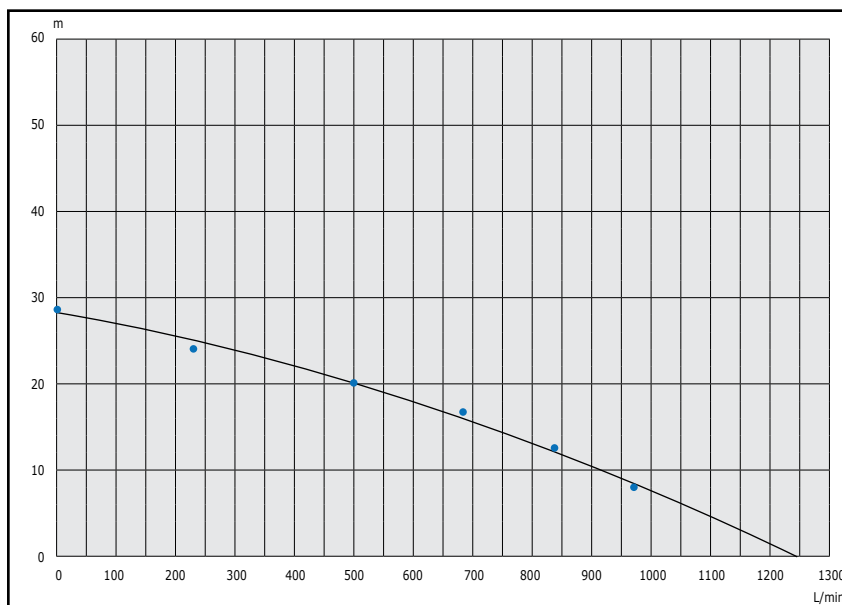


SPECIFICATIONS

RT80WB26-3.8Q

Engine model	R210 / 7hp
Engine type	Single cylinder, 4 stroke, OHV
Starting system	Recoil start
Bore x stroke	70 x 55mm
Displacement	212ml
Compression ratio	9.0 : 1
Net power	4.4kw / 3600rpm
Fuel consumption	≤395 (g/kw-h)
Net torque	12N.m / 2500rpm
Pump set	3" semi trash
Suction port diameter	75mm (3")
Discharge port diameter	75mm (3")
Suction head lift	7m
Total head lift	26m
Discharge capacity	66m ³ /h / 1100 litres per minute
Dimensions (L x W x H mm)	552 x 432 x 450
Net weight	35kg

Performance Curve



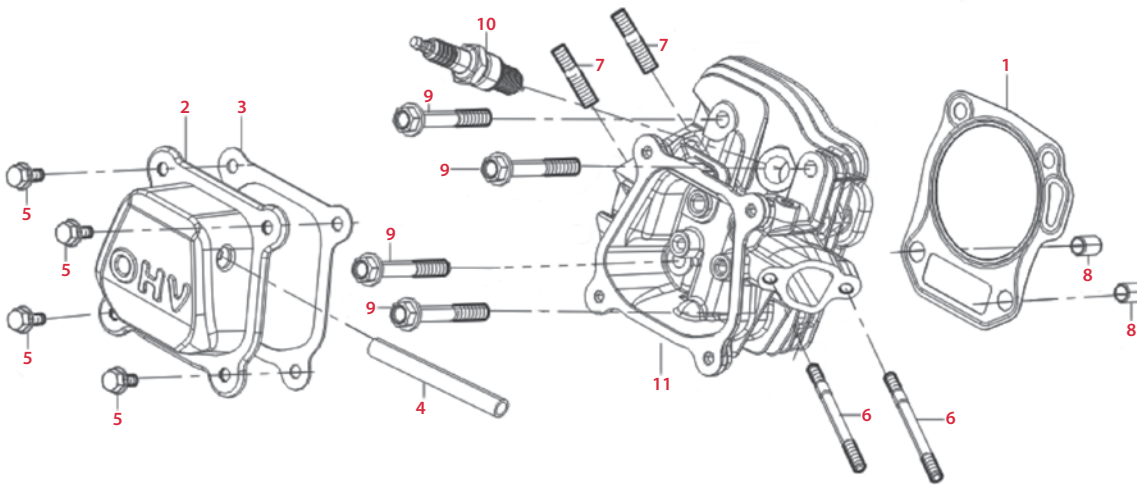
Unload Speed	Loading Speed	Suction Head Lift	Discharge Capacity (m ³ /h)	Discharge Capacity (L/min)	Total Head Lift (M)	Test Envir. Temp (C°)	Humidity at Outlet	Pressure at Outlet
	3680	8.1	58.3	971.67	8.02	18.8	76	62.8
/	/		50.2	836.67	12.44	18.8	76	98.5
/	/		41	683.33	16.78	18.8	76	135.5
/	/		30	500.00	20.05	18.8	76	172.2
/	/		13.8	230.00	24.11	18.8	76	204.6
/	/		0	0.00	28.67	18.8	76	245
/	/							

RT80WB26-3.8Q Sewage/Trash Pump

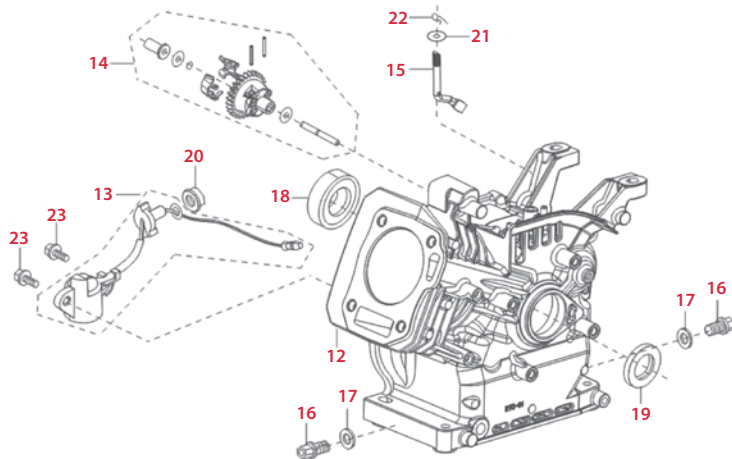
*NS - Not Stocked by JAK Max
however available from RATC. Special
order only, 3 month lead time.

Item	JAK Max Part No.	RATO Part No.	Description
Cylinder Head Subassembly & Spark Plug (below)			
1	JMRT1365	12131-Z140120-0000	Cylinder head gasket
2	NS	12410-Z010220-H300	Cylinder head cover subassembly
3	JMRT1002	12004-Z010110-0000	Cylinder head cover gasket
4	NS	17004-Z050210-0000	Breather tube
5	NS	90001-0612-03	Bolt
6	NS	90204-Z010310-0000	Stud

Item	JAK Max Part No.	RATO Part No.	Description
Cylinder Head Subassembly & Spark Plug - continued (below)			
7	NS	90203-Z010110-0000	Stud
8	NS	90502-1014-00	Pin
9	NS	12003-Z010110-0000	Cylinder head bolt
10	BPR6ES/ RN9YC	30010-Z010210-0000	Spark plug
11	NS	12140-Z040610-0000	Cylinder head subassembly



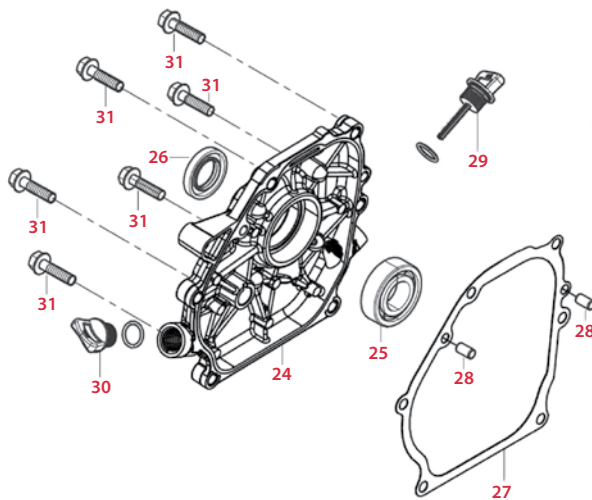
Item	JAK Max Part No.	RATO Part No.	Description
Crankcase & Governor Gear Assembly (right)			
12	NS	11310-Z140420-0000	Crankcase assembly
13	NS	37060-Z010120-0000	Engine oil sensor
14	NS	16400-Z010110-0000	Governor gear assembly
15	NS	16061-Z010110-0000	Governor arm
16	NS	11007-Z010110-0000	Drain plug bolt
17	NS	90408-Z010110-0000	Washer
18	NS	90547-0205-CL	Bearing
19	NS	90682-Z300110-0000	Oil seal
20	NS	90305-Z010210-01	Nut
21	NS	90408-Z010210-0000	Governor gear washer
22	NS	90501-Z010110-0000	Pin
23	NS	90001-0614-01	Bolt



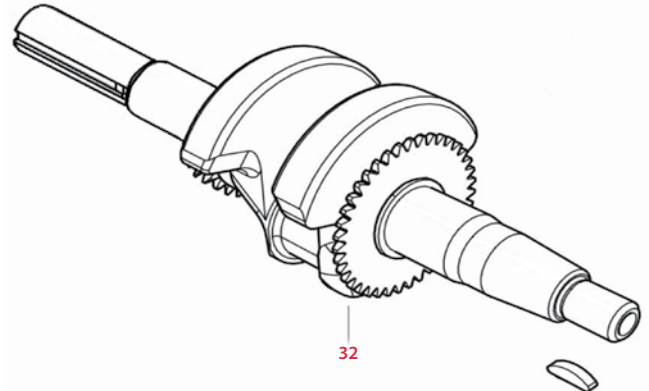
*NS - Not Stocked by JAK Max however available from RATC. Special order only, 3 month lead time.

RT80WB26-3.8Q Sewage/Trash Pump

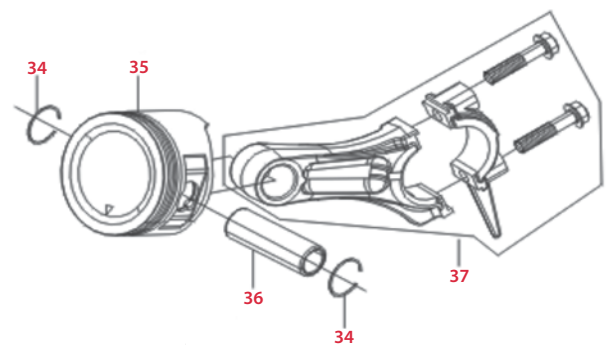
Item	JAK Max Part No.	RATO Part No.	Description
Crankcase Cover Subassembly (below left)			
24	NS	11411-Z010310-0000	Crankcase cover
25	NS	90547-0205-CL	Bearing
26	JMRT1005	90682-Z300110-0000	Oil seal
27	JMRT1366	11001-Z010120-0000	Crankcase gasket
28	NS	90502-0812-00	Pin
29	NS	15010-Z010130-Q500	Oil dipstick subassembly
30	NS	15030-Z010130-Q500	Engine oil plug subassembly
31	NS	90001-0832-01	Bolt



Item	JAK Max Part No.	RATO Part No.	Description
Crankshaft (below right)			
32	JMRT1010	13300-Z140330-0000	Crankshaft assembly



Item	JAK Max Part No.	RATO Part No.	Description
Oil Ring Set & Crankshaft Connecting Rod (right)			
33	NS	13200-Z140210-0099	Piston rings set
34	NS	13122-Z010110-0000	Piston pin clip
35	NS	13111-Z140220-0099	Piston
36	NS	13121-Z010110-0000	Piston pin
37	NS	13010-Z440210-0099	Connecting rod

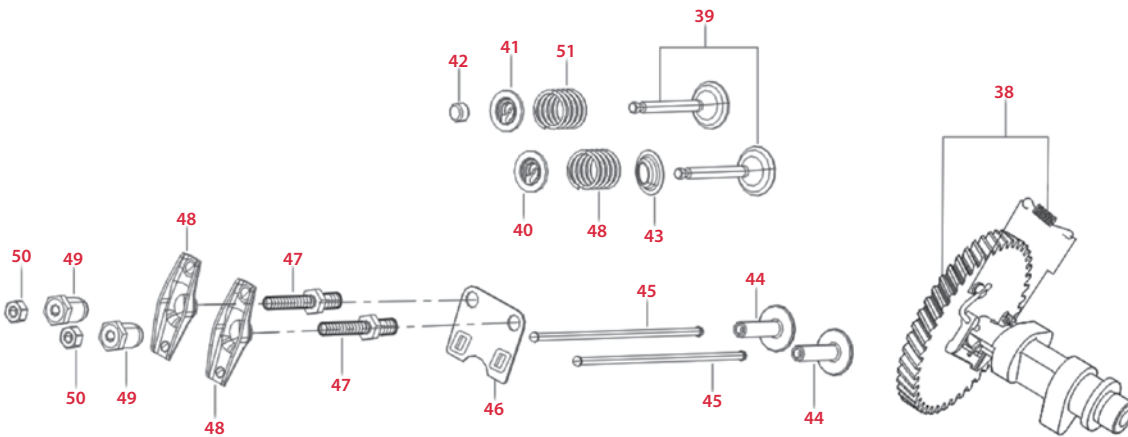


RT80WB26-3.8Q Sewage/Trash Pump

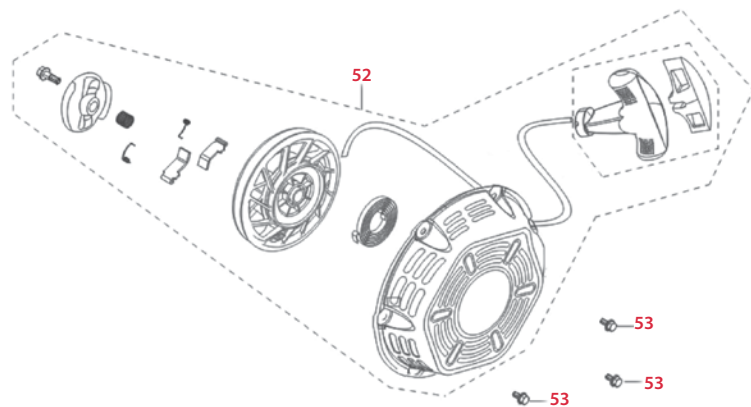
*NS - Not Stocked by JAK Max however available from RATC. Special order only, 3 month lead time.

Item	JAK Max Part No.	RATO Part No.	Description
Valve Train & Camshaft Subassembly (below)			
38	NS	14200-Z040110-0000	Camshaft assembly
39	NS	12110-Z010110-0000	Valves set
40	NS	12112-Z010110-0000	Valve spring seat
41	NS	12107-Z010110-0000	Exhaust valve retainer
42	NS	12104-Z010110-0000	Valve rotator
43	NS	12101-Z010110-0000	Seal guide
44	NS	14081-Z040110-0000	Valve tappet

Item	JAK Max Part No.	RATO Part No.	Description
Valve Train & Camshaft Subassembly - continued (below)			
45	NS	14071-Z010110-0000	Valve lifter
46	NS	14090-Z010110-0000	Lifter stopper plate subassembly
47	NS	14313-Z010110-0000	Valve adjusting bolt
48	NS	14311-Z010110-0000	Valve rocker
49	NS	14314-Z010110-0000	Valve adjusting nut
50	NS	14312-Z010110-0000	Valve lock nut
51	NS	12103-Z010110-0000	Valve spring



Item	JAK Max Part No.	RATO Part No.	Description
Starter Recoil (right)			
52	JMRT1367	28200-Z300410-H700	Starter Recoil assembly
53	NS	90001-0608-01	Bolt

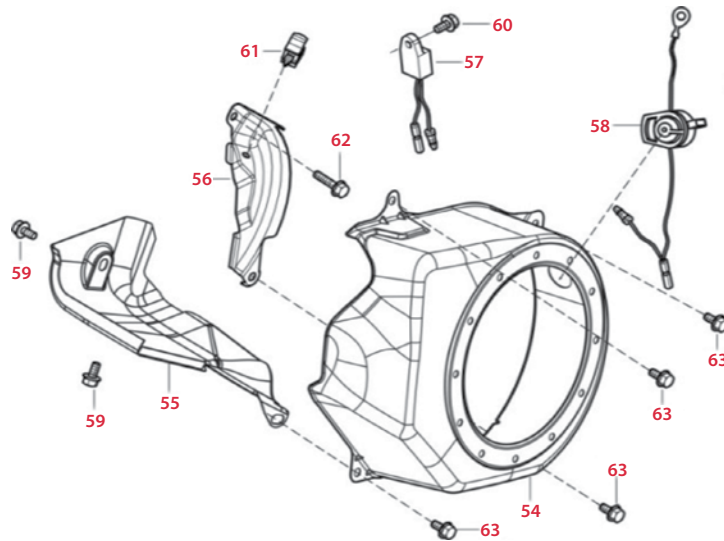


*NS - Not Stocked by JAK Max however available from RATO. Special order only, 3 month lead time.

RT80WB26-3.8Q Sewage/Trash Pump

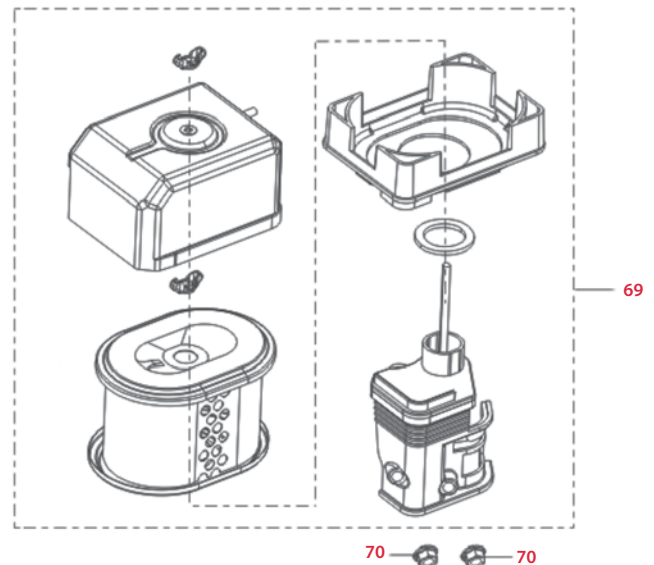
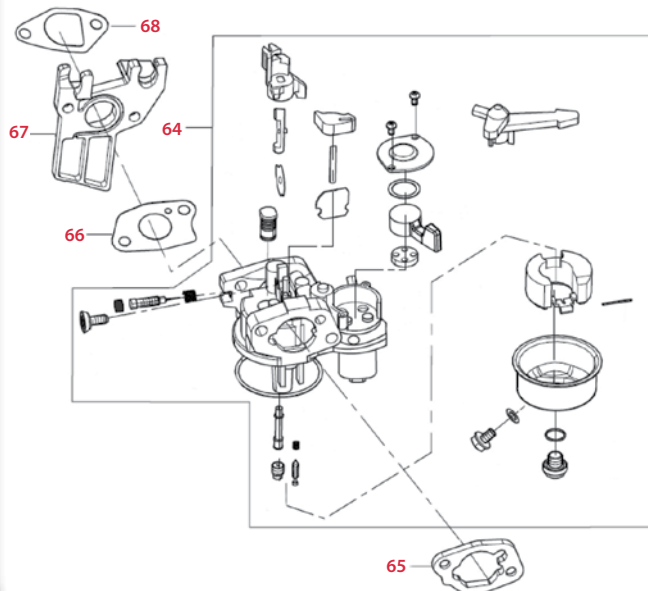
Item	JAK Max Part No.	RATO Part No.	Description
Shroud & Lower Shield (below)			
54	NS	28110-Z010410-H700	Shroud
55	NS	19304-Z010710-0000	Cylinder body shroud
56	NS	19340-Z010120-0000	Lower shield
57	NS	37050-Z010210-0000	Oil protector
58	NS	35540-Z060140-Q200	Stop engine switch subassembly

Item	JAK Max Part No.	RATO Part No.	Description
Shroud & Lower Shield - continued (below)			
59	NS	90001-0610-01	Bolt
60	NS	90001-0610-01	Bolt
61	NS	90740-Z010110-0000	Collar
62	NS	90001-0616-01	Bolt
63	NS	90001-0612-01	Bolt



Item	JAK Max Part No.	RATO Part No.	Description
Carburettor Assembly (below left)			
64	JMRT1368	16100-Z040210-0000	Carburettor assembly
65	JMRT1037	17001-Z010210-0000	Air cleaner gasket
66	JMRT1370	16001-Z300110-0000	Carburettor gasket
67	NS	16003-Z010110-0000	Carburettor insulator plate
68	NS	16002-Z300110-0000	Carburettor insulator gasket

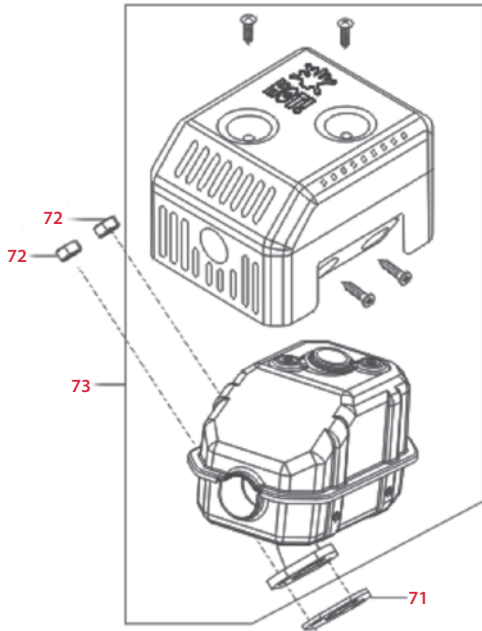
Item	JAK Max Part No.	RATO Part No.	Description
Air Cleaner (below right)			
69	JMRT1371	17100-Z010210-0000	Air cleaner complete
70	NS	90305-0600-31	Nut



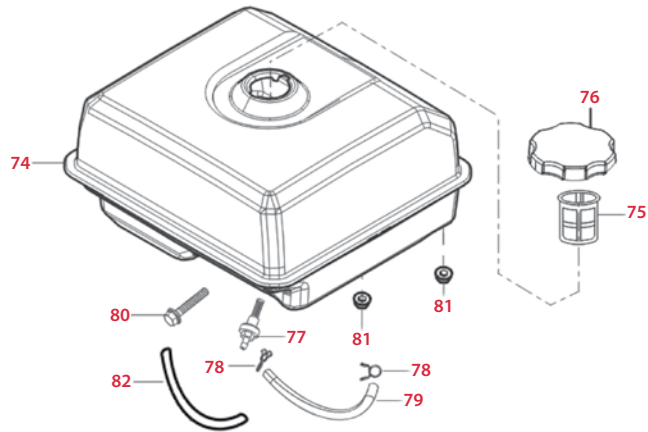
RT80WB26-3.8Q Sewage/Trash Pump

*NS - Not Stocked by JAK Max however available from RATO. Special order only, 3 month lead time.

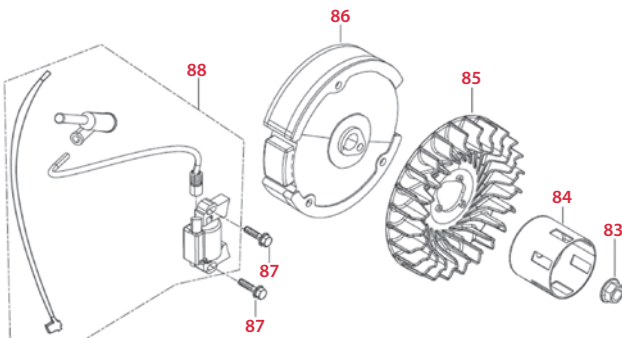
Item	JAK Max Part No.	RATO Part No.	Description
Muffler Assembly (below left)			
71	JMRT1373	18001-Z300110-0000	Exhaust outlet gasket
72	NS	90303-0800-31	Nut
73	JMRT1372	18100-Z010710-H300	Muffler assembly



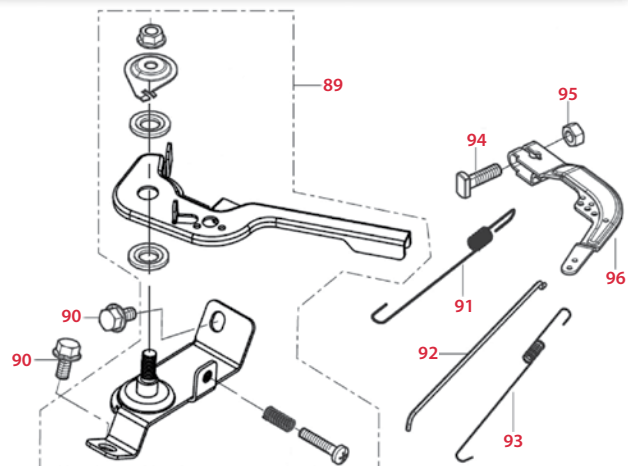
Item	JAK Max Part No.	RATO Part No.	Description
Fuel Tank Assembly (below right)			
74	JMRT1374	16620-Z440310-H700	Fuel tank
75	JMRT1375	16652-Z010610-0000	Fuel strainer
76	JMRT1348	16730-Z300120-0000	Fuel tank cover
77	NS	16680-Z010110-0000	Fuel tank oil outlet subassembly
78	NS	90740-Z010210-0000	Clamp
79	NS	90686-Z010510-0000	Fuel tube
80	NS	90001-0630-01	Bolt
81	NS	90305-0600-31	Nut
82	NS	30431-Z010110-0000	Rubber jacket



Item	JAK Max Part No.	RATO Part No.	Description
Flywheel, Impeller, Starter Pulley & Ignition Coil (below)			
83	NS	13501-Z010110-0000	Flywheel nut
84	JMRT1378	28002-Z010310-0000	Starter pulley
85	NS	19352-Z010310-0000	Impeller
86	NS	13510-Z010110-0000	Flywheel subassembly
87	NS	90001-0625-01	Bolt
88	JMRT1377	30400-Z010410-0000	Ignition coil



Item	JAK Max Part No.	RATO Part No.	Description
Throttle Control Assembly (below right)			
89	NS	16520-Z010230-0000	Throttle control assembly
90	NS	90001-0610-01	Bolt
91	NS	16063-Z010110-0000	Governor spring
92	NS	16062-Z010110-0000	Governor rod
93	NS	16012-Z010110-0000	Throttle valve returning spring
94	NS	16072-Z010110-0000	Governor support bolt
95	NS	90305-0600-31	Nut
96	NS	16070-Z010110-0000	Governor support subassembly

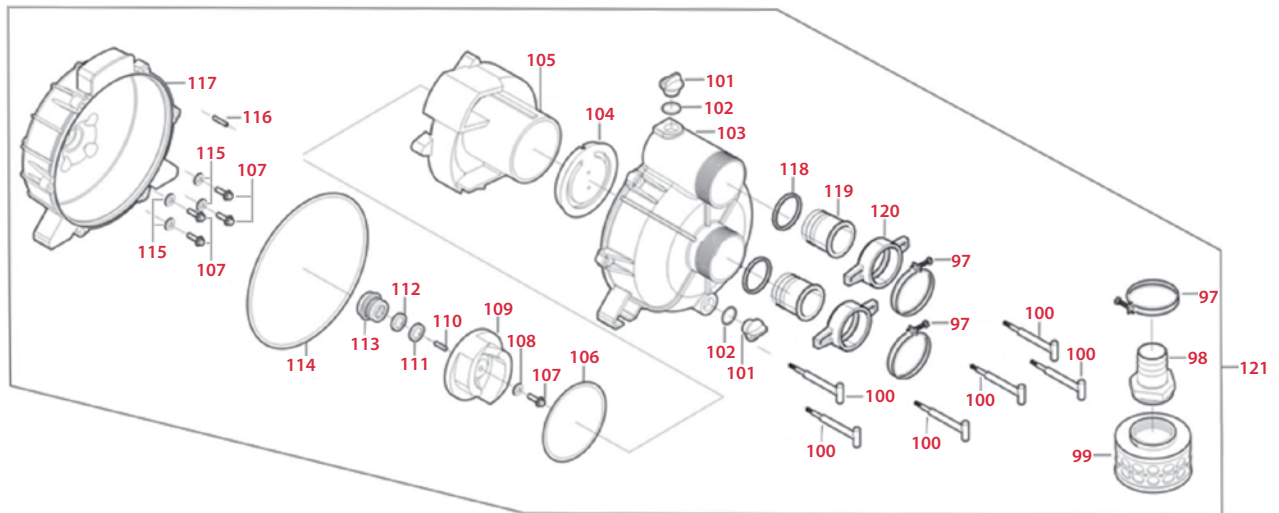


*NS - Not Stocked by JAK Max however available from RATO. Special order only, 3 month lead time.

RT80WB26-3.8Q Sewage/Trash Pump

Item	JAK Max Part No.	RATO Part No.	Description
Pump Assembly (below)			
97	JMRT1160	70400-V270110-0000	Hose hoop subassembly
98	NS	90752-V090510-0000	Water tube joint
99	NS	70135-V090210-0000	Strainer
100	NS	70123-V090410-0000	Bolt
101	NS	70107-V260210-0000	Thread plug
102	NS	70122-V260110-0000	Screw plug washer
103	NS	70105-V090610-0K00	Pump body
104	NS	70115-V090410-0000	Inlet water gasket
105	NS	70103-V090410-0000	Whorl case
106	NS	70104-V090410-0000	Whorl case sealing ring
107	NS	90001-V070110-01	Bolt
108	NS	90409-V260110-0000	Gasket
109	NS	70102-V090410-0000	Water pump impeller

Item	JAK Max Part No.	RATO Part No.	Description
Pump Assembly (below)			
110	NS	90522-V020110-0000	Key
111	NS	70125-V260210-0000	Washer
112	NS	70309-V330110-0000	Porcelain seal
113	NS	70300-V330110-0000	Mechanism seal assembly
114	NS	70119-V090410-0000	Water pump joint cushion
115	NS	90409-V260110-0000	Washer
116	NS	90505-0618-00	Pin
117	NS	70118-V090410-0K00	Water pump joint
118	NS	70131-V270110-0000	Hose joint seal ring
119	JMRT1159	70112-V270310-0K00	Hose interface
120	JMRT1158	70111-V270310-0K00	Hose joint
121	NS	70100-V090910-0K00	Water pump assembly



Item	JAK Max Part No.	RATO Part No.	Description
Engine Frame Assembly (right)			
122	NS	51100-V091410-H7L0	Engine frame assembly
123	NS	90001-0610-01	Bolt
124	JMRT1105	51014HY450110-0000	Engine frame shock absorption seat
125	NS	90001-0850-01	Bolt
126	NS	90327-0800-31	Nut
127	NS	90327-0800-31	Nut
128	NS	90406-0800-E1	Washer
129	NS	90001-0835-01	Bolt

